

Erratum to: Mixed-Paradigm Process Modeling with Intertwined State Spaces

Johannes De Smedt · Jochen De Weerd ·
Jan Vanthienen · Geert Poels

Published online: 7 January 2016
© Springer Fachmedien Wiesbaden 2016

Erratum to: Bus Inf Syst Eng
DOI 10.1007/s12599-015-0416-y

In the online version of the paper there is a complete mismatch between the figures, their captions, and their references.

Please find here all figures and their correct caption (Figs. [1](#), [2](#), [3](#), [4](#), [5](#), [6](#)).

The online version of the original article can be found under doi:[10.1007/s12599-015-0416-y](https://doi.org/10.1007/s12599-015-0416-y).

J. De Smedt (✉) · Prof. J. De Weerd · Prof. J. Vanthienen
KU Leuven Faculty of Economics and Business, Leuven
Institute for Research on Information Systems, Naamsestraat 69,
3000 Louvain, Belgium
e-mail: Johannes.DeSmedt@kuleuven.be

Prof. J. De Weerd
e-mail: Jochen.DeWeerd@kuleuven.be

Prof. J. Vanthienen
e-mail: Jan.Vanthienen@kuleuven.be

Prof. G. Poels
UGent Management Information Systems Research Group,
Ghent University Faculty of Economics and Business
Administration, Tweekerkenstraat 2, 9000 Ghent, Belgium
e-mail: Geert.Poels@ugent.be

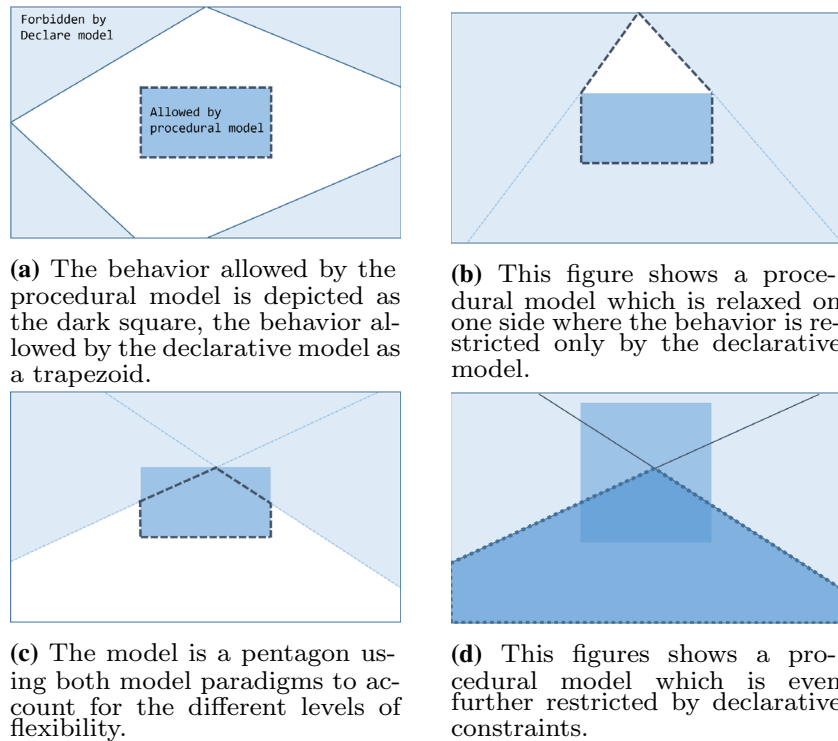


Fig. 1 Three layers indicating all the possible behavior of the activities and flow constructs contained in a model. The dotted line represents the outcome of a combination of declarative and procedural constructs in (b), (c), and (d). A color version of all figure is available online via <http://link.springer.com>. a The behavior allowed by the procedural model is depicted as the dark square, the behavior

allowed by the declarative model as a trapezoid. b This figure shows a procedural model which is relaxed on one side where the behavior is restricted only by the declarative model. c The model is a pentagon using both model paradigms to account for the different levels of flexibility. d This figure shows a procedural model which is even further restricted by declarative constraints

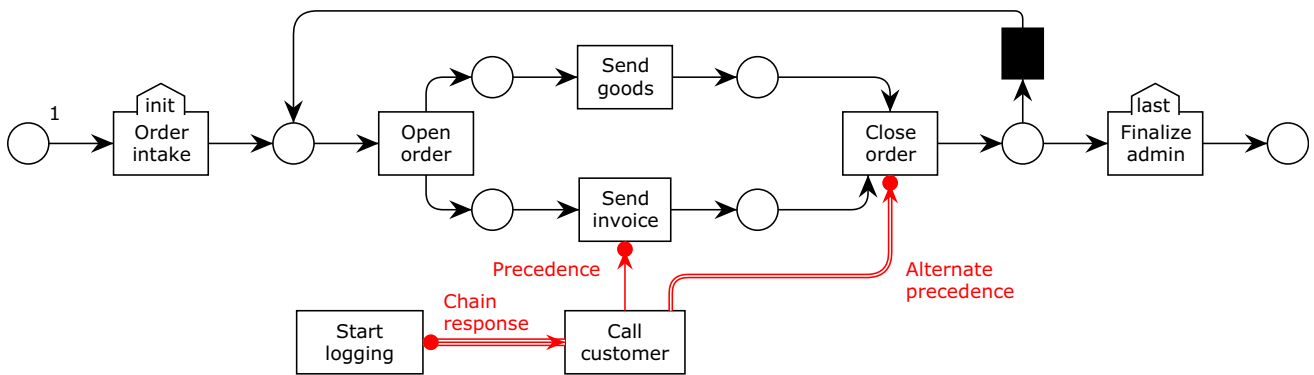


Fig. 2 A very straightforward AND-split and -join based process model represented in a mixture of Petri nets and Declare in standard notation

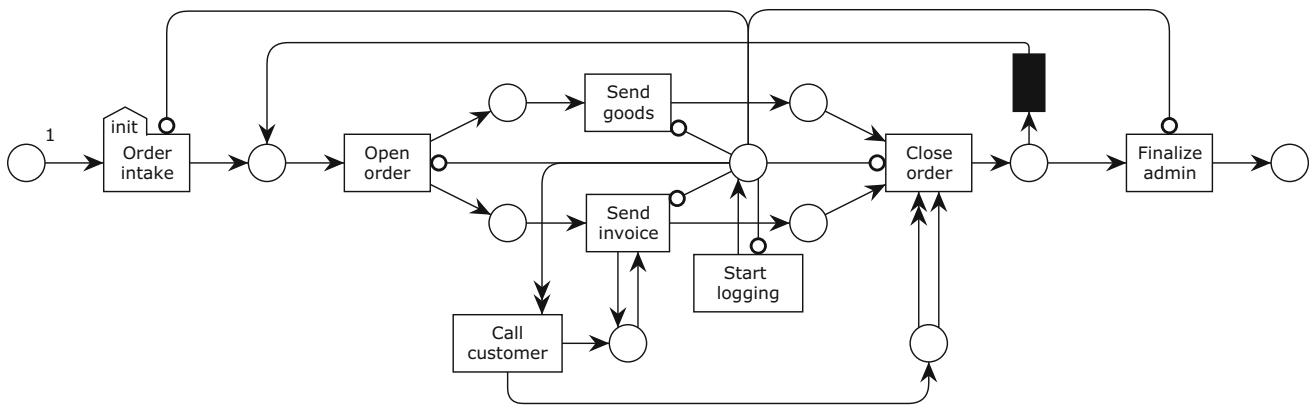


Fig. 3 The same model as in Fig. 2, but now solely in R/I-net constructs

Fig. 4 The same model as in Fig. 2, but now solely in Declare standard notation

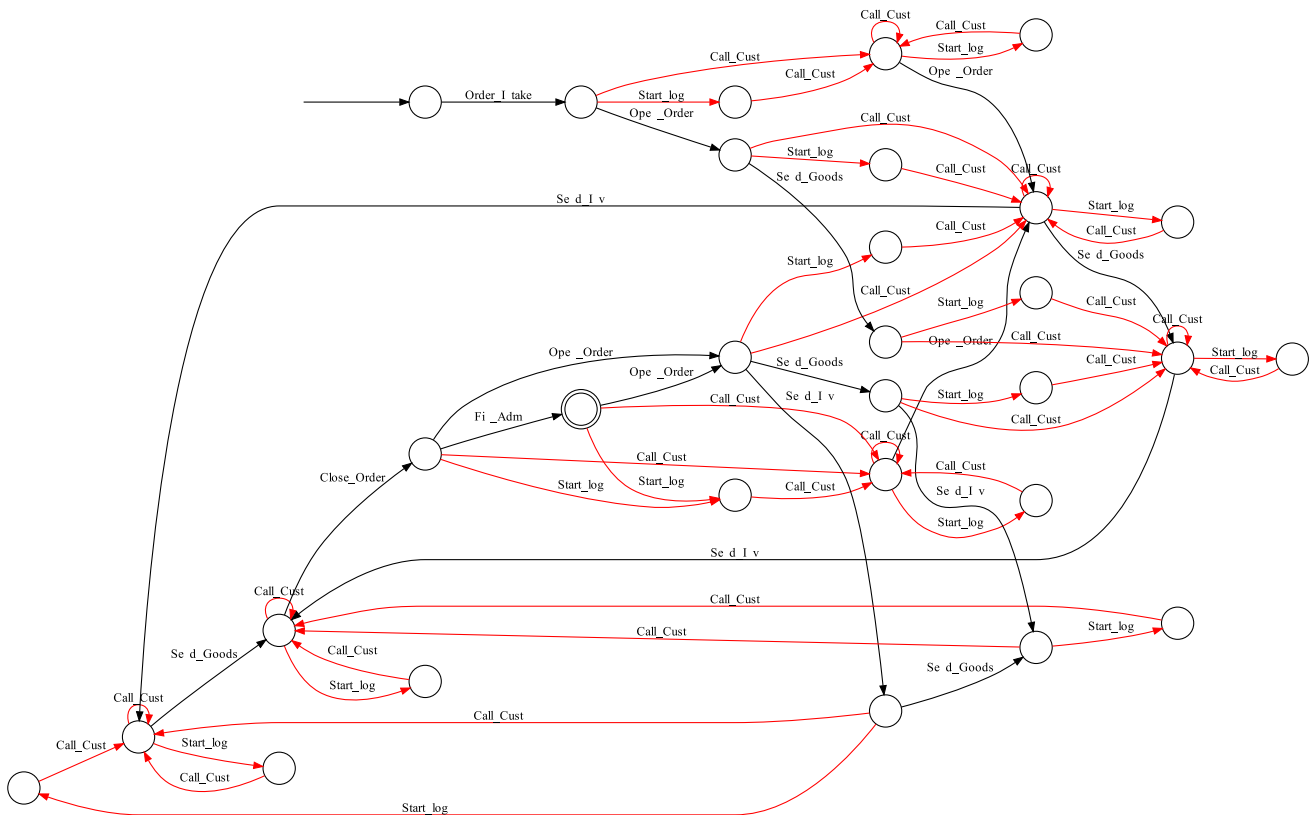
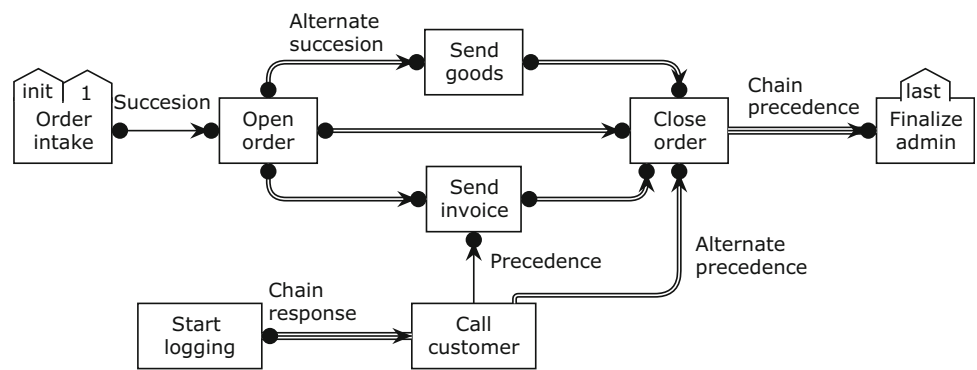


Fig. 5 The automaton for the Declare model with the flexible activity transitions in red

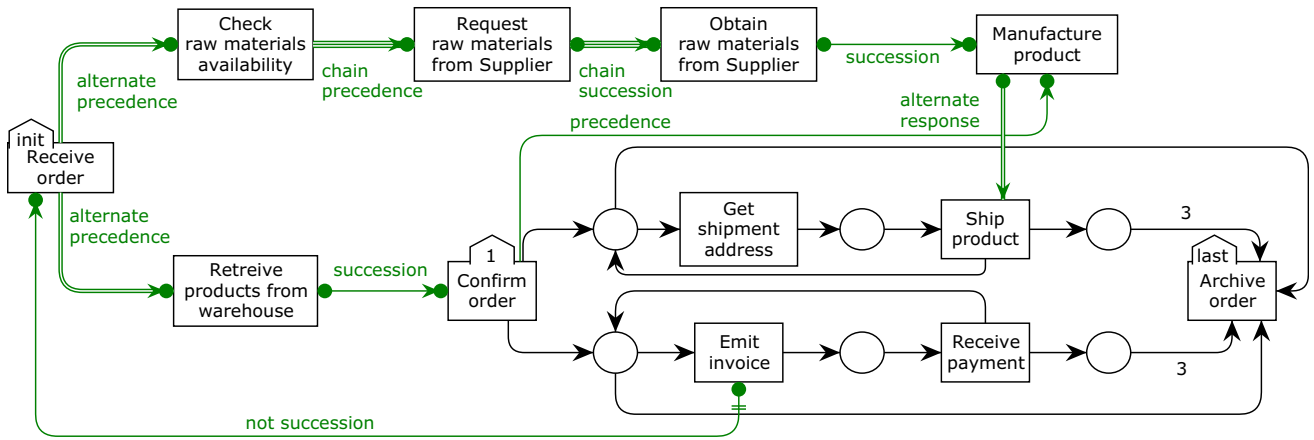


Fig. 6 A well-known fulfillment process model reworked according to the step-wise approach